



VITREOUS CHINA

TOILET
21-518



12" Rough-in



VIPER™ ErgoHeight™ 17" High Elongated Toilet

Features:

- Low Consumption 1.6 gpf (6.0 Lpf)
- Elongated Bowl
- Slim Line Tank
- Fluidmaster® Fill Valve HP-2 Technology
- Optional Right-handed Trip Lever Available
- Glazed Trapway
- Reverse Trap
- Dual Feed Jet
- Various Colors
- Front Tank Lever
- 2 Bolt Caps
- ADA Compliant

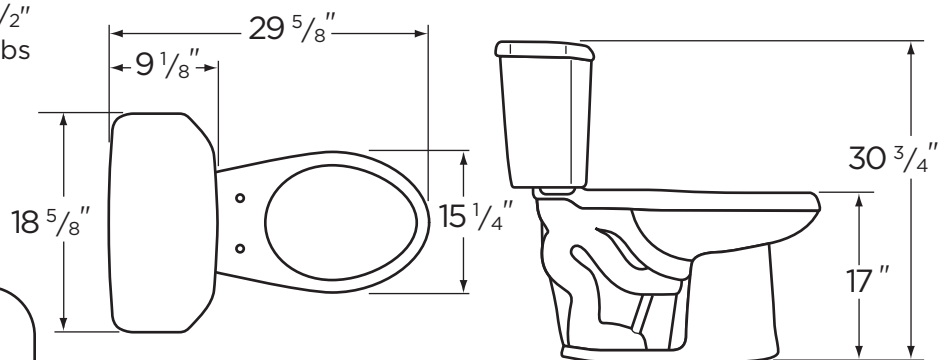


Dimensions:

- Height 30 3/4"
- Width 18 5/8"
- Depth 29 5/8"
- Rough-in 12"
- Water Surface from Rim 5 1/4"
- Trapway (min)..... 2"
- Water Surface 10" x 8 1/2"
- Water Seal 2 1/2"
- Shipping Weight 92 lbs

Specifications: Bowl—#21-528 Elongated Bowl
Seat not included

Tank—#28-590



THIS FIXTURE QUALIFIES ACCORDING TO ASME TEST PROCEDURES AS A LOW CONSUMPTION WATER CLOSET WITH AN AVERAGE CONSUMPTION OF 1.6 GAL. OR LESS.



www.gerberonline.com

Job Name	
Date	
Model Specified	
Quantity	
Customer	
Contractor	
Architect/engineer	

