

CLASS FIVE® TOILET K-3979

ADA

Features

- Vitreous china
- Elongated bowl
- Class Five® flushing system
- Polished chrome trip lever
- Less seat and supply
- 12" (30.5 cm) rough-in
- 1.6 gpf (6 lpf)
- 2-1/8" (5.4 cm) glazed trapway
- 11-3/8" (28.9 cm) x 8" (20.3 cm) water area
- 29-3/4" (75.6 cm) x 18" (45.7 cm) x 31-1/4" (79.4 cm)



Codes/Standards Applicable

Specified model meets or exceeds the following:

- ADA
- ICC/ANSI A117.1
- ASME A112.19.2/CSA B45.1

Colors/Finishes

- 0: White
- Other: Refer to Price Book for additional colors/finishes

Accessories

- 0: White
- CP: Polished Chrome
- Other: Refer to Price Book for additional colors/finishes

Specified Model

Model	Description	Trip Lever	Colors/Finishes	
K-3979	Class Five toilet	left-hand	<input type="checkbox"/> 0	<input type="checkbox"/> Other_____
K-3979-RA	Class Five toilet	right-hand	<input type="checkbox"/> 0	<input type="checkbox"/> Other_____
K-3979-T	Class Five toilet with tank cover locks	left-hand	<input type="checkbox"/> 0	<input type="checkbox"/> Other_____
K-3979-TR	Class Five toilet with tank cover locks	right-hand	<input type="checkbox"/> 0	<input type="checkbox"/> Other_____

Recommended Accessories				
K-4636	Cachet® Quiet-Close™ seat with Quick-Release™ functionality	<input type="checkbox"/> 0		<input type="checkbox"/> Other_____
K-4688	Cachet elongated toilet seat with cover	<input type="checkbox"/> 0		<input type="checkbox"/> Other_____
K-4731	Stronghold® elongated open-front toilet seat – for Accessibility compliance	<input type="checkbox"/> 0		<input type="checkbox"/> Other_____
K-7637	Angle supply with stop – 3/8" NPT		<input type="checkbox"/> CP	<input type="checkbox"/> Other_____

Product Specification

The elongated bowl toilet shall be made of vitreous china. Toilet shall be 29-3/4" (75.6 cm) in length, 18" (45.7 cm) in width, and 31-1/4 (79.4 cm) in height with a 11-3/8 (28.9 cm) x 8 (20.3 cm) water area. Toilet shall be 1.6 gpf (6 lpf) with Class Five flushing system. Toilet shall include polished chrome trip lever. Toilet shall have 2-1/8" (5.4 cm) glazed trapway. Toilet shall be 12" (30.5 cm) rough-in. Toilet shall be less seat and supply. Toilet shall be Kohler Model K-3979-_____-_____.

HIGHLINE®

Technical Information

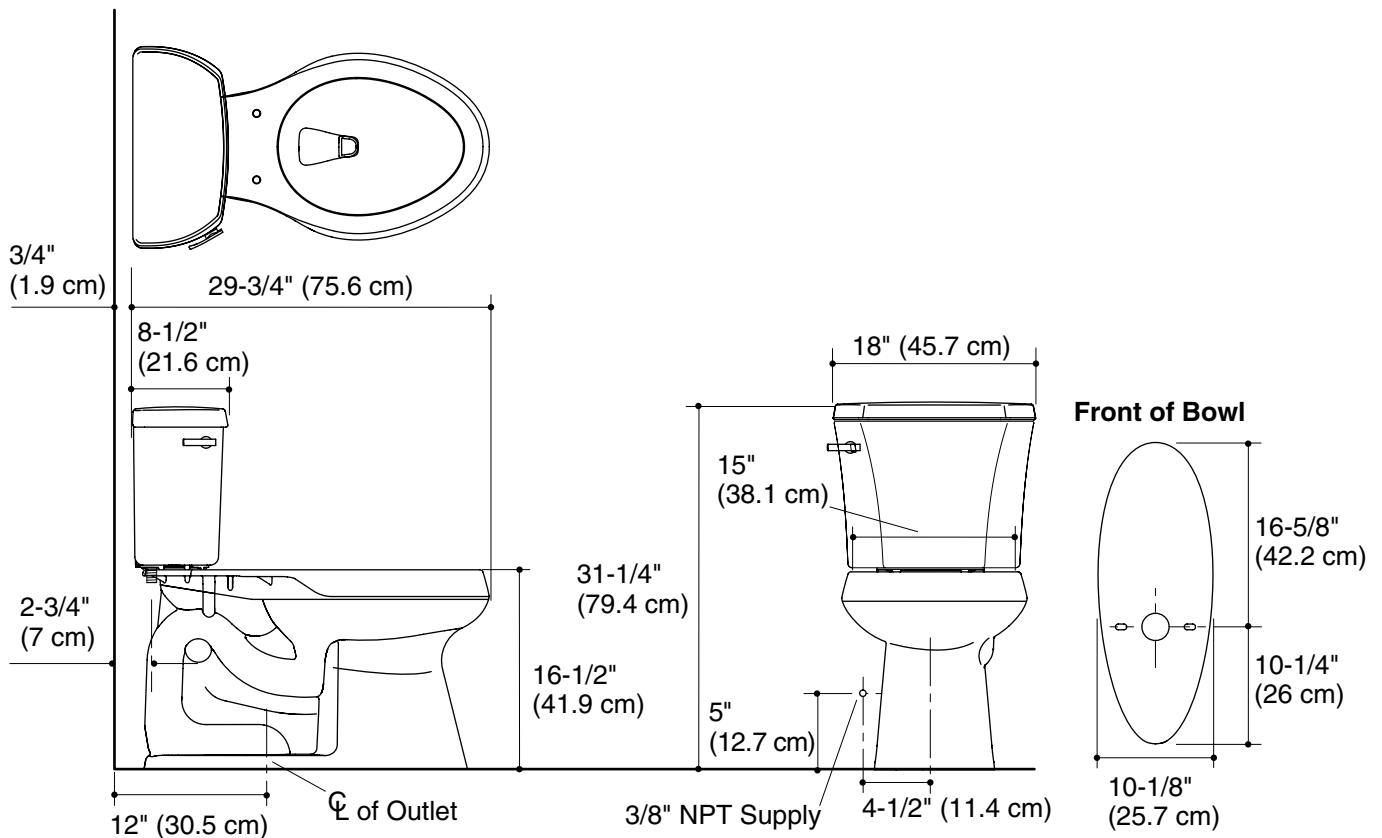
Fixture:	
Configuration	two-piece, elongated
Water per flush	1.6 gpf (6 lpf)
Passageway	2-1/8" (5.4 cm)
Water area	11-3/8 (28.9 cm) x 8 (20.3 cm)
Water depth from rim	5-3/8 (13.7 cm)
Seat post hole centers	5-1/2" (14 cm)

Included components:	
Bowl	K-4199
Tank	K-4468
Tank cover	1138565
Trip lever	K-9379
Tank accessory pack	1016548
Bolt cap accessory pack	1013092

Installation Notes

Install this product according to the installation guide.

Will comply with the American Disabilities Act (**ADA**) when installed per the requirements of the Accessibility Guidelines, Section 604 Water Closets, of the Act. The Model Plumbing Codes require the installation.



Product Diagram