

WOLVERINE BRASS, INC.

ESSENCE SINGLE CONTROL PRESSURE BALANCE TUB/SHOWER

VALVE CONSTRUCTION:

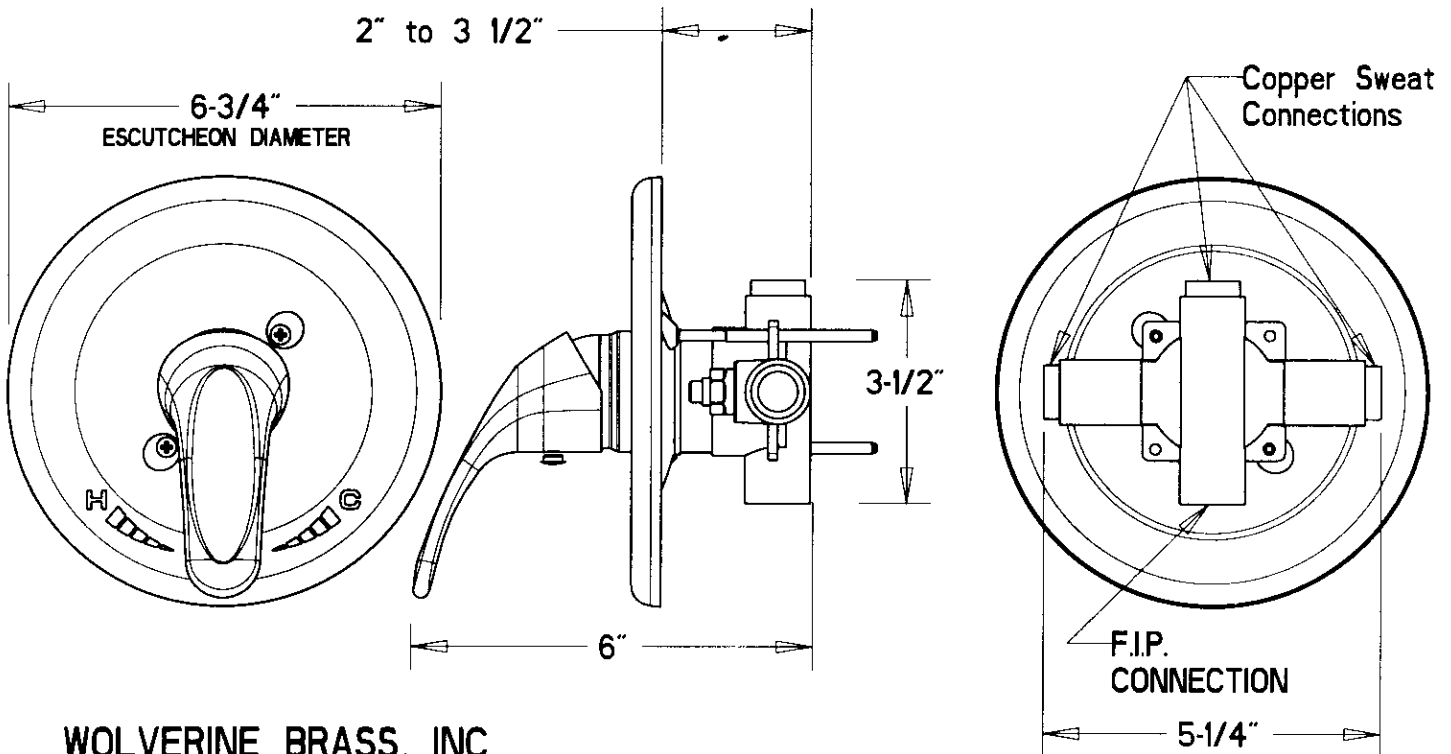
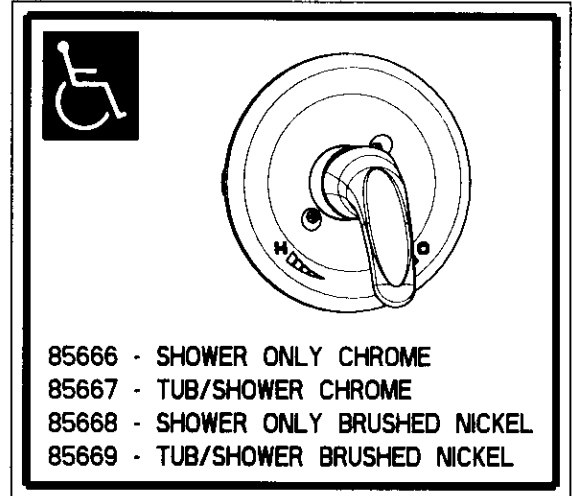
- 35mm CERAMIC DISK CARTRIDGE with HOT LIMIT ADJ. RING.
- CAST BRASS BODY.
- CHROME PLATED BRASS ESCUTCHEON & BODY SLEEVE.
- PLATED METAL LEVER HANDLE.
- COPPER SWEAT INLET & SHOWER OULET CONNECTIONS.
- 1/2" F.I.P. TUB SPOUT OUTLET CONNECTION.
- SLIP FIT DIVERTER TUB SPOUT (on Tub/Shower Units).
- BUILT IN "INTEGRAL" LINE STOPS.

OPERATION:

- SINGLE CONTROL LEVER HANDLE.
- REQUIRES LESS THAN 5 LB FORCE TO OPERATE VALVE.
- TEMP. ADJUSTMENT 90° FROM FULL HOT TO FULL COLD.
- 2.5 GPM SHOWER HEAD.

STANDARDS:

- DESIGNED AND MANUFACTURED TO COMPLY WITH
CSA B-125, ASME A112.18.1M, ASSE 1016, and ADA STANDARDS.



WOLVERINE BRASS, INC.
2951 Highway 501 East
Conway, SC 29526
(843)-347-3121