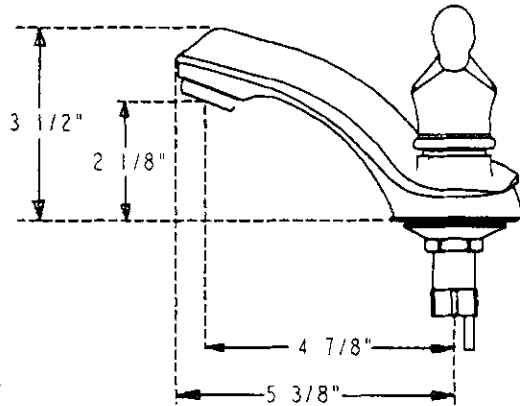
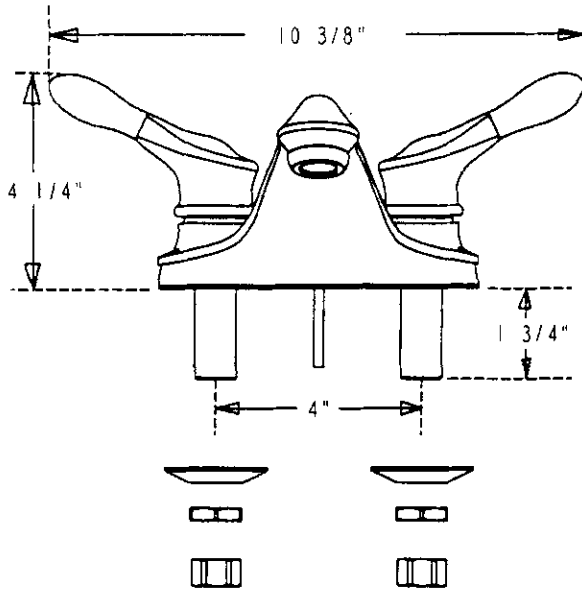
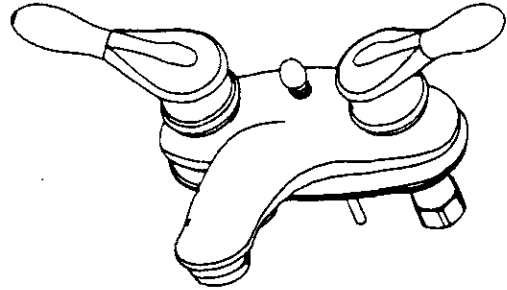


FIXTURE SPECIFICATIONS

CALL OR FAX TOLL FREE NATIONWIDE SALES: 1-800-944 WBWB

CENTENNIAL COLLECTION LAVATORY FAUCET



TECHNICAL DATA

FLOW RATE CHART

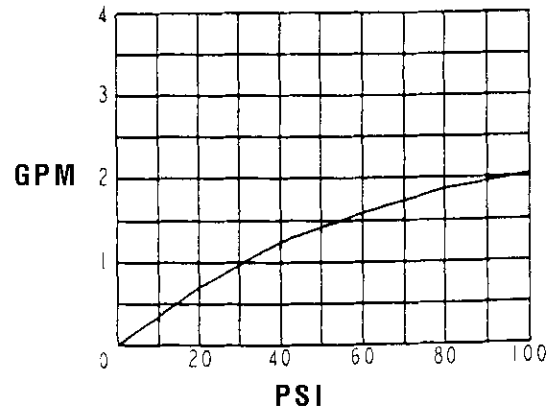
DESCRIPTION

CONTRACTOR:

ACCOUNT NUMBER:

JOB NAME:

ACCOUNT NAME:



WB WOLVERINE BRASS, INC. 2951 HWY. 501 EAST CONWAY, SC 29526

FS0001