

WB Wolverine Brass

SPECIFICATION SHEET

Essence Single Handle "Pull-Out-Spout" Kitchen Faucets

85073 - Chrome
85074 - Brushed Nickel
85075 - Oil Rubbed Bronze

FAUCET CONSTRUCTION:

- 35mm ceramic disc cartridge with hot limit adjustment ring
- Brass body with flexible supplies
- Zamac #3 chrome plated metal handle
- 24" stainless steel flexible hot and cold supplies

OPERATION:

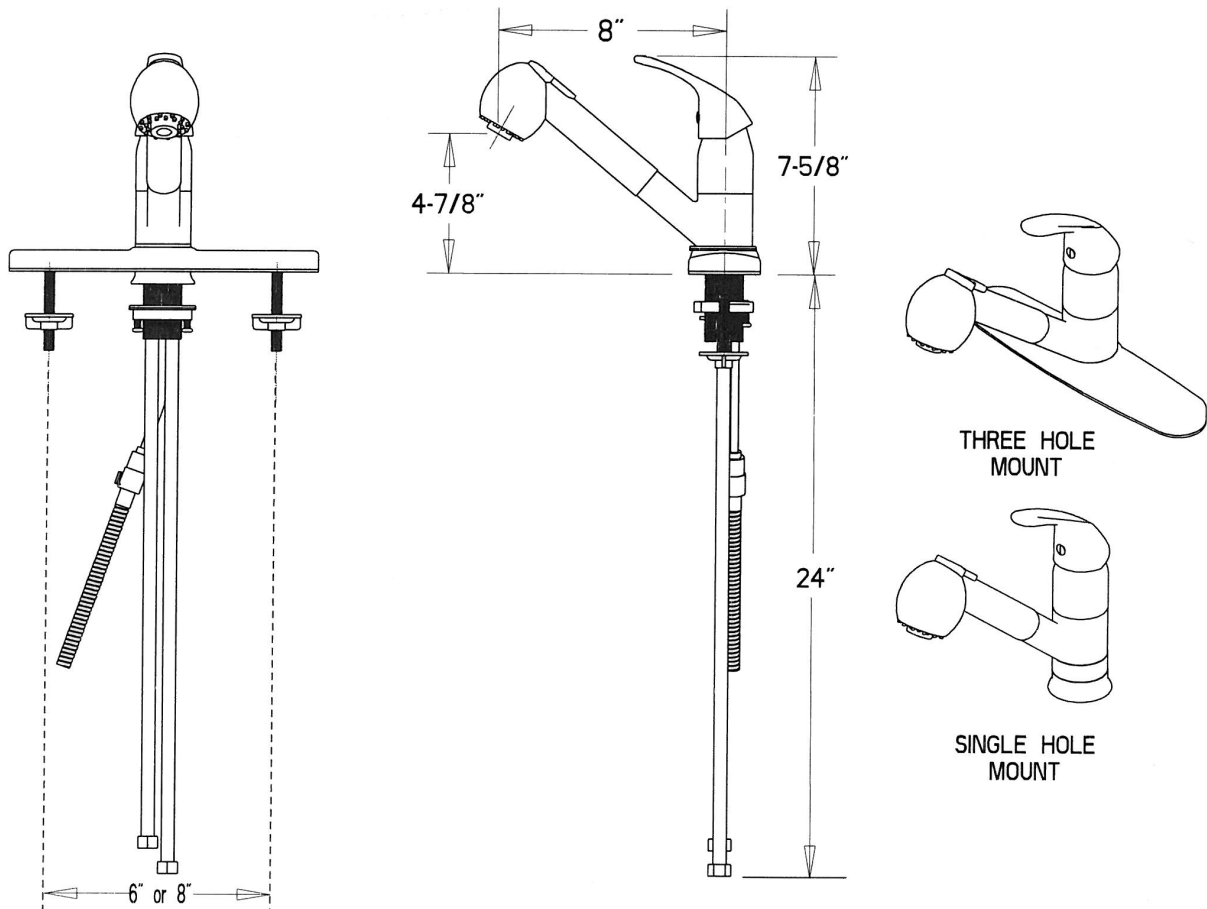
- Single control lever handle
- Requires less than 5lb force to operate valve
- 90° turn from full off to full on
- 2.2 gpm (7.6 l/min) aerator

STANDARDS:

- Designed and manufactured to comply with CSA B-125, ASME A112.18.1M and ADA standards.

MOUNTING SURFACE REQUIREMENTS:

- Surface thickness 1-3/4" maximum
- Three (1-3/8" min to 1-5/8" max dia) holes 4" on center



85073SP