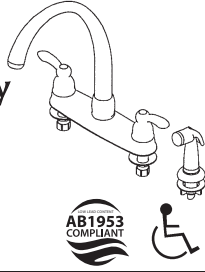


WB Wolverine Brass

SPECIFICATION SHEET

Essence Two Handle Kitchen Hi-Rise Faucet

ESK7340 - With Spray
ESK7440 - BN, w/Spray



DESCRIPTION:

Two Handle Essence Kitchen Hi-Rise Faucet

VALVES:

Ceramic disc cartridges. Requires less than 5 lb force to operate valve. 90° Turn from full off to full on.

CONSTRUCTION:

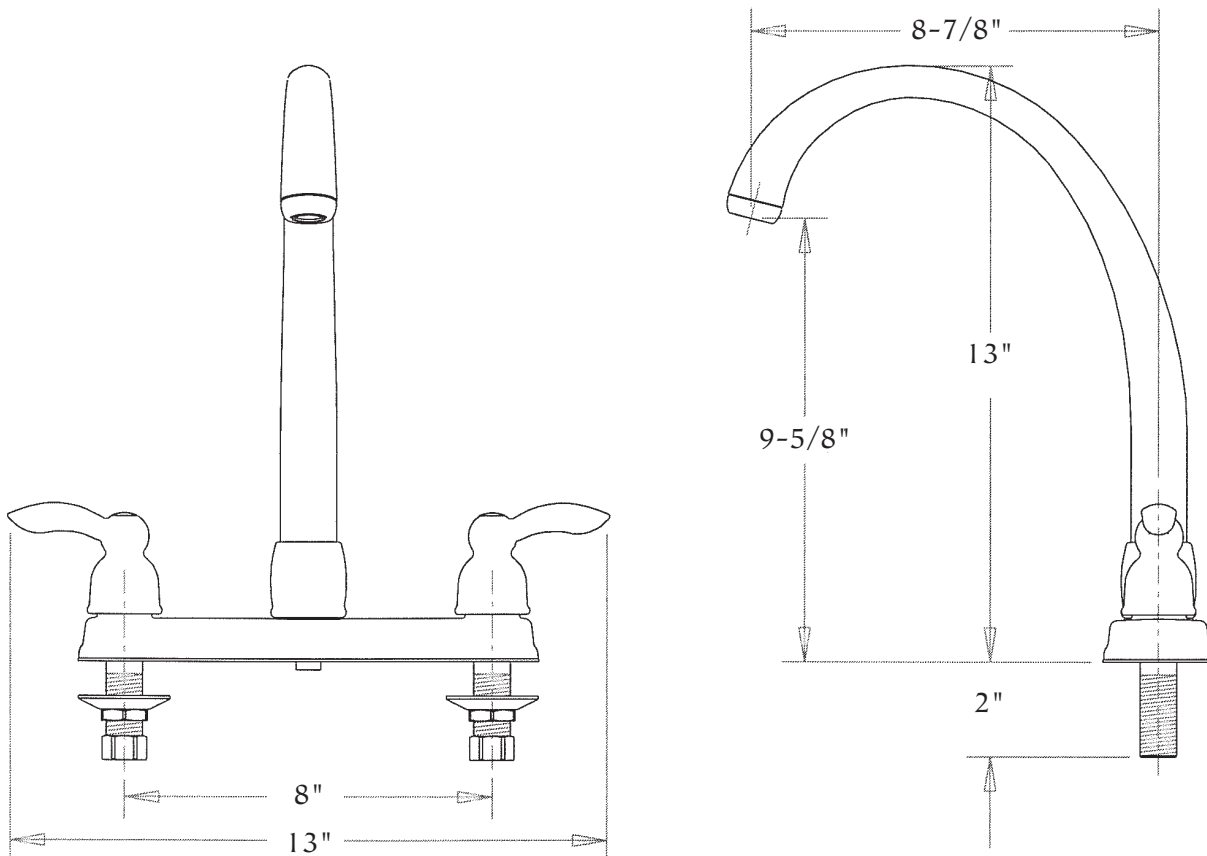
Machined brass body with K copper supply lines. Zamac #3 chrome plated metal handles & deck plate. 1/2" IPS threaded brass shanks 8" on centers. Plastic putty plate. Twin lever handles. 9-1/2" heavy duty hydroform hi-rise spout. 2.2 GPM (7.6L/Min.) aerator. Designed and manufactured to comply with CSA B-125, ASME A112.18.1M, NSF and ADA standards.

Mounting Surface Requirements:

Surface thickness 1-1/4" Maximum

Three (7/8" Min to 1-1/4" Max. Dia.) Holes 4" on centers

FINISH: Chrome, #ESK7440-PVD on Brushed Nickel



ESK7340SP