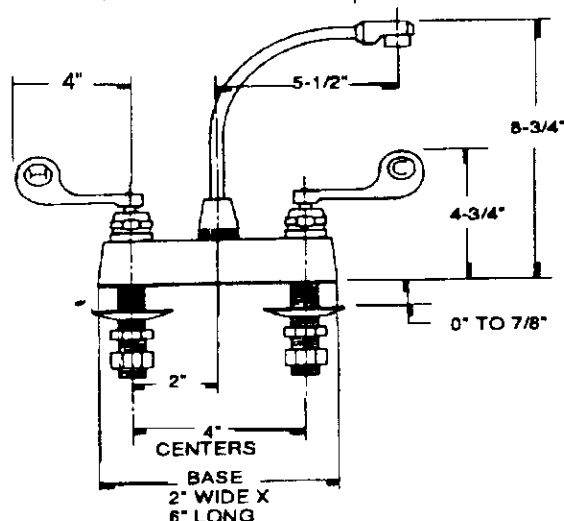
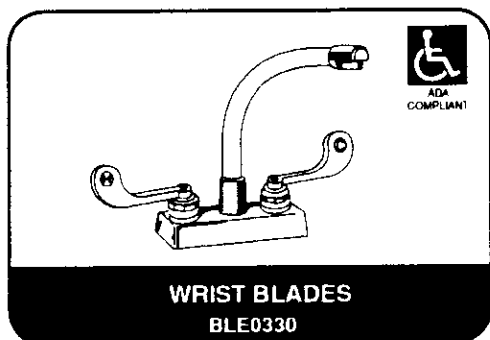
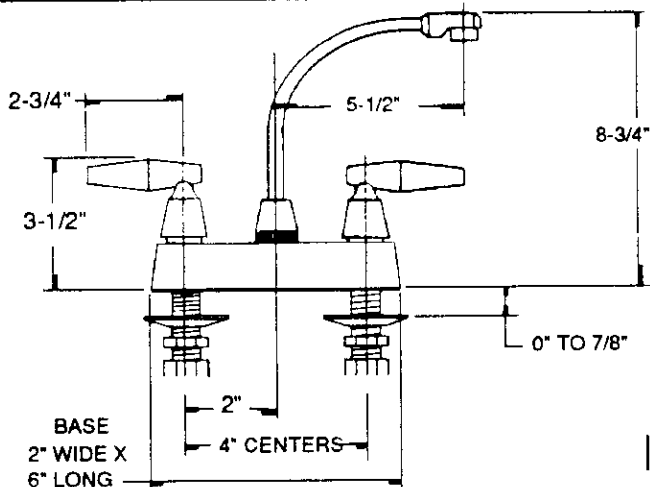
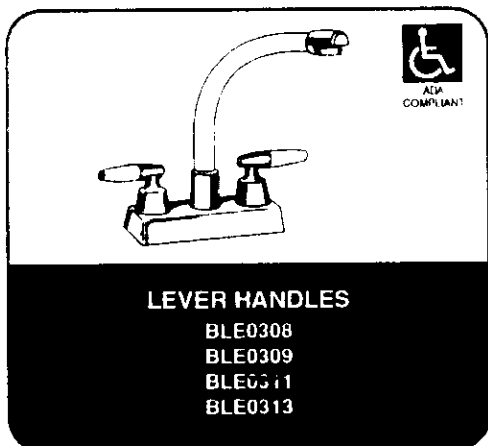




CALL OR FAX TOLL FREE NATIONWIDE: SALES: 1-800-944-WBWB FAX: 1-800-945-WBWB

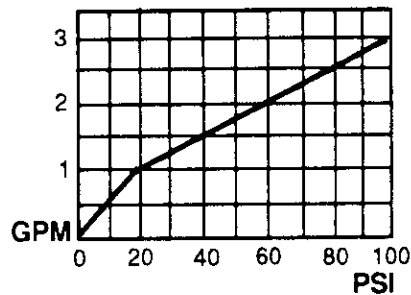
ENCORE TWO HANDLE BAR FAUCETS



TECHNICAL DATA

DESCRIPTION: Two handle Encore bar faucet with Hi-rise spout.
VALVES: Washerless 1/4 turn full on to off ceramic disc cartridge with ten year warranty on the cartridge. Brass copper alloy #360 cartridge stems and cap nuts.
CONSTRUCTION: ABS, brass or wood inserts with Zamac #3 base lever handles or 4" forged brass wrist blade handles. Zamac #3 canopy with plastic under plate. Tubular brass spout with 15/16" female threaded aerator adapter, brass copper alloy #360 spout hold down nut with o-ring seal. The aerator has 15/16" male threads with 2 GPM flow at 60 PSI. Brass copper alloy #360 valve body with 1/2" NPS shank threads, taper reamed at inlets. Brazed "K" copper waterways. Zinc plated deep cup shank washers. Brass copper alloy #360 coupling and lock nuts.
FINISH: All expose parts have high luster chrome finish. Unexposed stems & cap nuts have satin nickel finish.
FINISH SPECIFICATIONS: NICKEL .00025" / CHROME .000007"

FLOW RATE CHART



CONTROL SYSTEM



STATE OF THE ART 1/4 TURN
CERAMIC DISC, WASHERLESS
CARTRIDGE. PATENT# 3780758

CONTRACTOR:

ACCOUNT NO.:

JOB NAME

ACCOUNT NAME:

WOLVERINE **SYNONYMOUS WITH QUALITY**