

WOLVERINE BRASS, INC.

ESSENCE SINGLE CONTROL LAVATORY FAUCETS

FAUCET CONSTRUCTION:

- 35mm CERAMIC DISK CARTRIDGE with HOT LIMIT ADJ. RING.
- BRASS BODY WITH COPPER SUPPLIES.
- CHROME PLATED PLASTIC THROAT PLATE
- ZAMAC+3 CHROME PLATED METAL HANDLE & DECK PLATE.
- BRASS SUPPLY CONNECTION ADAPTERS WITH 1/2" IPS THREADS.
- BRASS POP-UP ASSEMBLY (On all units).

OPERATION:

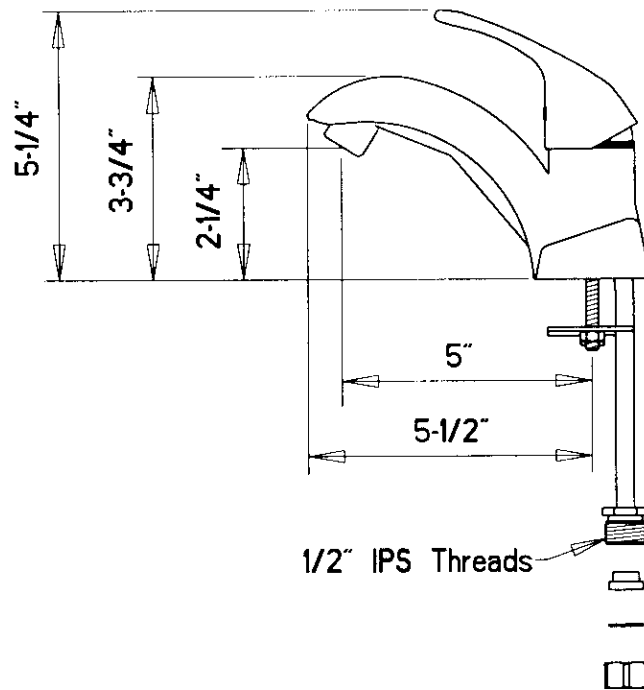
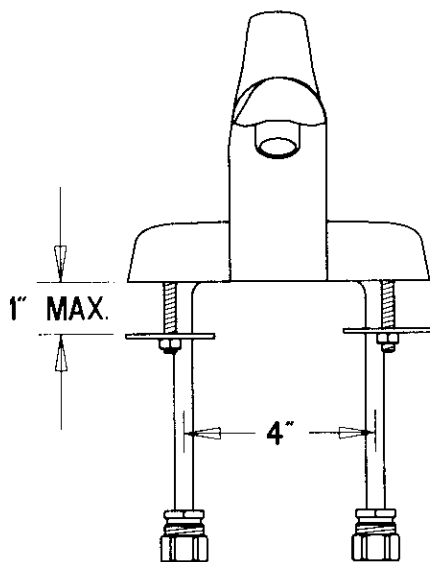
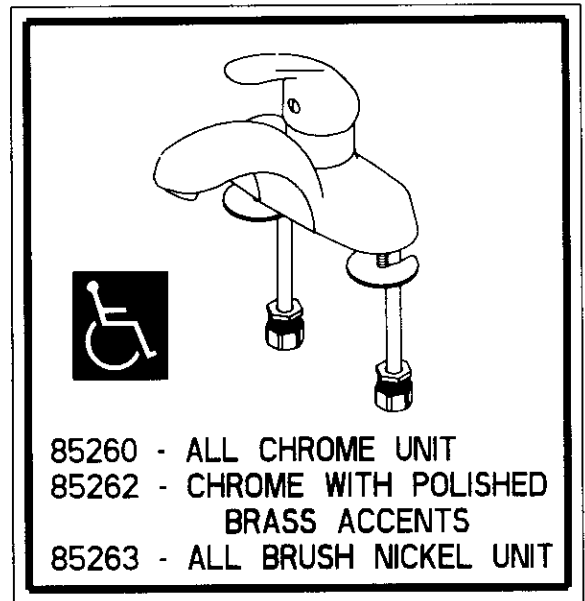
- SINGLE CONTROL LEVER HANDLE.
- REQUIRES LESS THAN 5 LB FORCE TO OPERATE VALVE.
- TEMP. ADJUSTMENT 90° FROM FULL HOT TO FULL COLD.
- 2.2 GPM (7.6 L/min) AERATOR.

STANDARDS:

- DESIGNED AND MANUFACTURED TO COMPLY WITH CSA B-125, ASME A112.18.1M, AND ADA STANDARDS.

MOUNTING SURFACE REQUIREMENTS:

- SURFACE THICKNESS 1" MAXIMUM.
- LESS POP-UP - TWO 1 1/4" DIA. HOLES (4" ON CENTERS).
- WITH POP-UP - THREE 1 1/4" DIA. HOLES (2" ON CENTERS).



WOLVERINE BRASS, INC.
 2951 Highway 501 East
 Conway, SC 29526
 (843)-347-3121