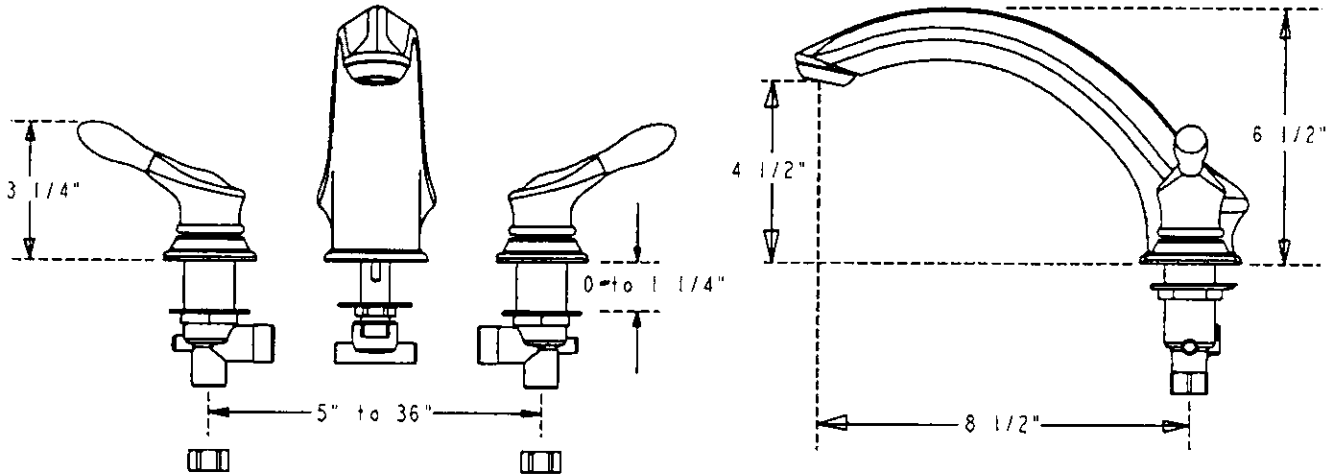
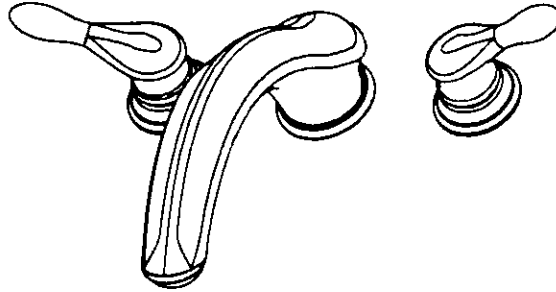


FIXTURE SPECIFICATIONS

CALL OR FAX TOLL FREE NATIONWIDE SALES: 1-800-944 WBWB

CENTENNIAL COLLECTION ROMAN TUB UNIT



TECHNICAL DATA

FLOW RATE CHART

DESCRIPTION

CONTRACTOR:

ACCOUNT NUMBER:

JOB NAME:

ACCOUNT NAME:

