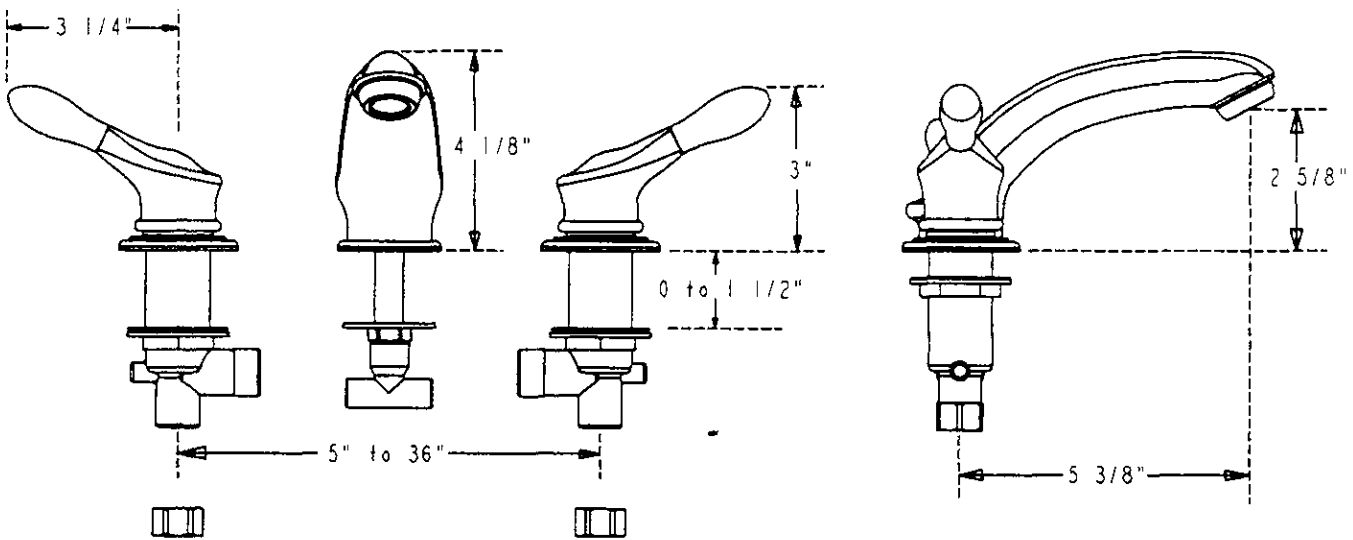
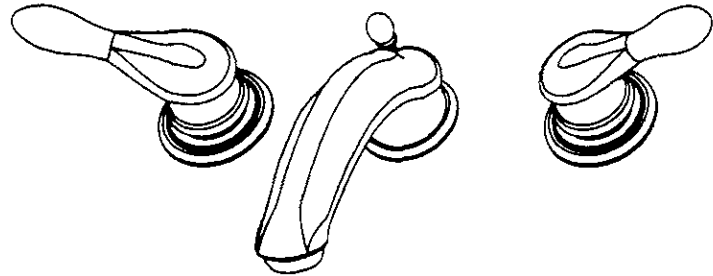


# FIXTURE SPECIFICATIONS

CALL OR FAX TOLL FREE NATIONWIDE SALES: 1-800-944-WBWB

## CENTENNIAL COLLECTION WIDESPREAD FAUCET

CW11111 CW33332  
CW11112 CW33333  
CW33111



### TECHNICAL DATA

DESCRIPTION:

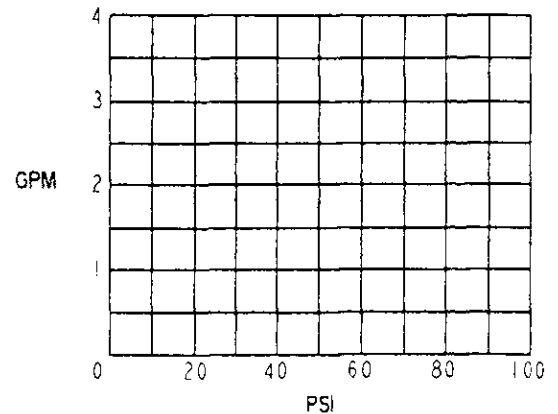
CONTRACTOR:

ACCOUNT NUMBER:

JOB NAME:

ACCOUNT NAME:

### FLOW RATE CHART



WB WOLVERINE BRASS, INC. 2951 HWY. 501 E. CONWAY, SC 29526

F50003